

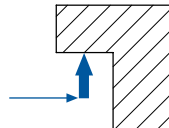
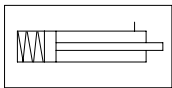
# Flexible Clamp System

## EVS with HKZ

### Application area

- For medium and large presses
- For various die dimensions
- For clamping upper dies
- For dies with U-recesses
- Suitable for retrofitting

### Mode of operation



- The electric positioning unit moves the T-bolt clamp along the T-slot.
- A single-acting hydraulic cylinder generates the clamping force.
- Unclamping is effected by spring load with the operating pressure switched off.

### Advantage

The electric positioning unit moves the T-bolt clamp by means of a spindle and spindle nut. Hydraulic pressure is applied to the T-bolt clamp to generate the clamping force.

The hydraulic pressure must be maintained to secure the clamping force (e.g. with pilot-controlled check valves). Therefore, pressure control by means of a pressure switch on the hydraulic power pack is necessary. The electric positioning units may be switched off individually by the machine control, so that these clamp units remain in their park position, where they are clamped.



### Advantages

- Pressure hose inside the T-slot
- Clamping of different die sizes
- Large clamping dimension tolerance
- Short clamping time
- Displacement path up to 1000 mm available
- Clamping in the park position possible
- All important functions electrically monitored
- High automation level
- Central operation

### Accessories

- Pilot-controlled check valves
- Fittings
- Hydraulic hoses / hydraulic accessories
- Hydraulic power packs
- Limit switches / cable
- Plug connectors



Fixing is achieved with four hexagon head screws with flange (DIN 6921), M10x30, strength class 8.8 and two spring dowelpins (DIN1481) Ø8x20 (not included).

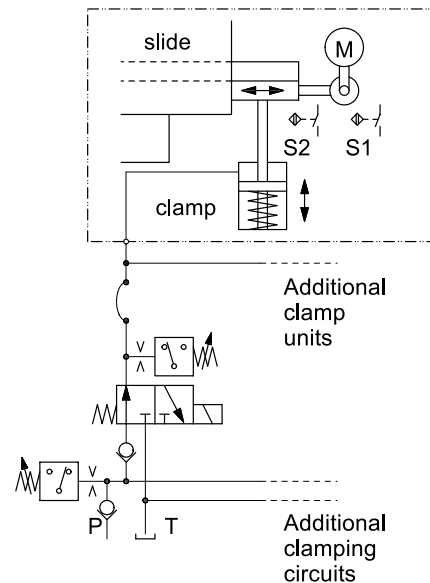
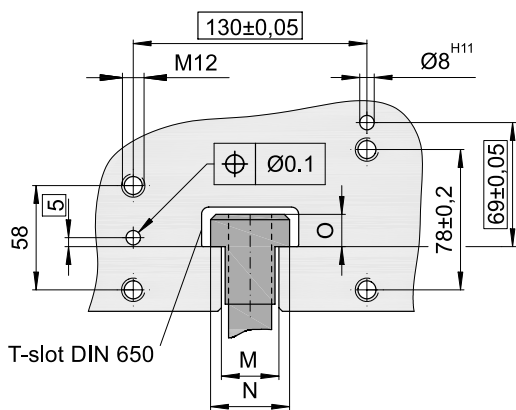
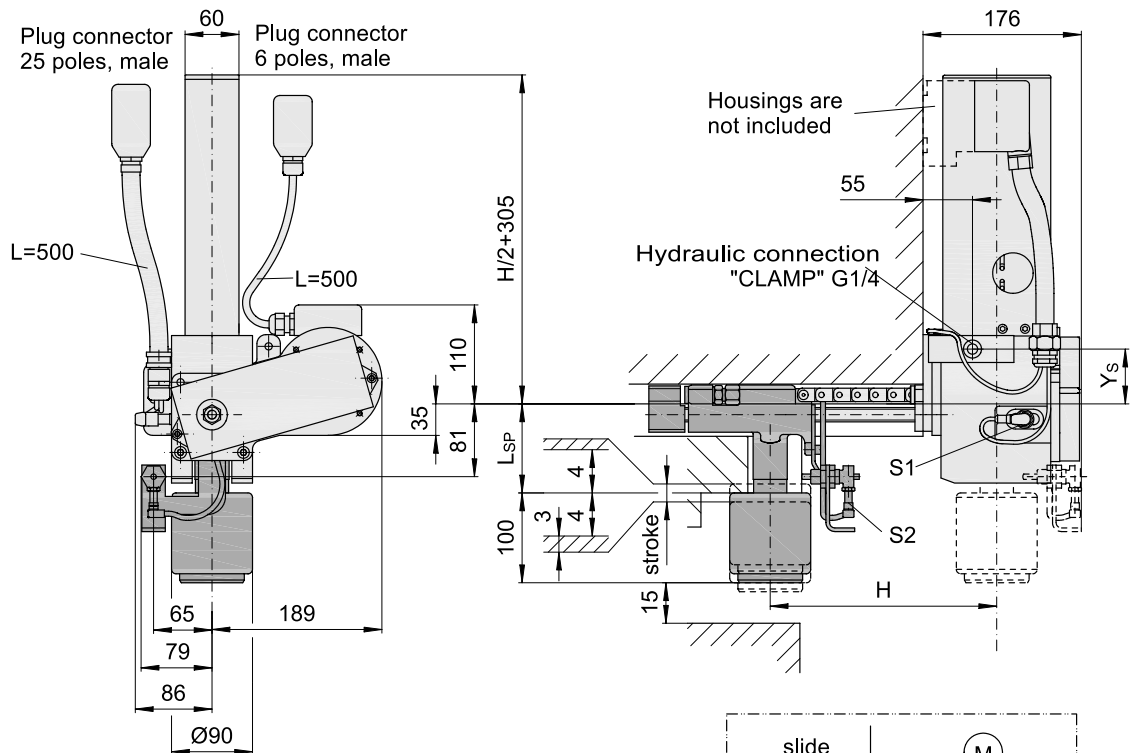
1) Mechanical damage may occur at higher load.

### Technical Data

Positioning Unit	EVS
Motor: Type	three-phase
Supply voltage	400 V 50 HZ
Motor power [W]	60
Positioning speed [mm/s]	91
Limit switches: Type	<ul style="list-style-type: none"> <li>• Inductive proximity switches</li> <li>• PNP normally open; 10-30V DC</li> </ul>
Switch voltage	
Designation	<ul style="list-style-type: none"> <li>• Clamp unit in park position S1</li> <li>• Clamp unit at the die S2</li> <li>• End of displacement path (optional) S5</li> </ul>
Plug connector	Han® 25 D Han® 6 E
Clamp Unit	HKZ 104
Clamping force [kN] / at operating pressure [bar]	104 / 400
Max. loading force [kN] <sup>1)</sup>	130
Max. operating pressure [bar]	400
Clamping dimension tolerance [mm]	+/- 4
Stroke [mm]	12
Oil volume: Clamp [cm³]	31
Max. operating temperature [°C]	70
Weight [kg]	22

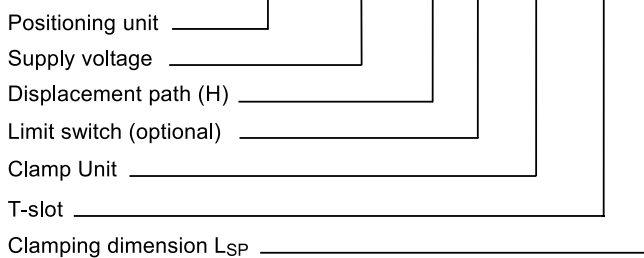
# Flexible Clamp System

EVS with HKZ



### Example order

**EVS - 400V 50 Hz - 700 - S5 - HKZ104 - 28 - 98**



T-Slot	M	N	O	Y <sub>L</sub>
32	32	50	20	63
36	36	54	22	65

(Custom designs available on request)